

EKKO[®]

MATERIAL HANDLING EQUIPMENT

MOVING AHEAD

STAND-UP RIDER REACH TRUCK EK18RR SERIES

- Load Capacity 4500 lbs.
- Lift Height 196-275 in. 3 Stage
- Side Shifting Forks
- 48V/420Ah Industrial Battery
- Free Lift 53-79"
- Hydraulic Power Steering
- Length 102"
- Curtis Controller
- Tilt 3/6 degree
- Mast Height 96-123"
- Overhead Guard 78.93"
- Battery & Charger
- 3 Year Limited Warranty



EK18RR

Superior quality, maneuverable, compact, and durable for all your material handling applications. Ideal for small aisles and areas.

WEIGHT CAPACITY: 4000 lbs. @ 24" load center

LIFT HEIGHT: 196-275 3 Stage

SIDE SHIFTING FORKS: 45.3"

MAST HEIGHT: 96-123"

TURNING RADIUS: 75"

FREE LIFT: 53-79"

TILT: 2/4 degree

INDUSTRIAL BATTERY / CHARGER: 48V 420Ah,
Industrial battery with external direct
connect 210A 210VAC plug-in automatic 48V/65A
charger (both Included)

BRAKING: Electromagnetic

SPEED TRAVEL: 5.9 mph empty ; 5.59 mph loaded

LIFTING SPEED: 9.05" ips empty; 7.48" ips loaded

LOWERING SPEED: 11.81" ips empty; 9.05" ips loaded

FRONT WHEELS: Polyurethane

REAR WHEELS: Polyurethane

HYDRAULICS LIFTING MOTOR: 48V 11000 Watt lifting motor with hardened chrome moly steel for durability.

DRIVE MOTOR: 48V 6000-Watt ZF AC drive motor for efficiency and high torque.

AC CONTROLLER: 48V Curtis provides performance through entire range of speed; Constant travel speed regardless of load; Battery discharge indicator combination gauge.

BRAKES: Drum Brakes with Electro-magnetic braking for secure stopping power

LIGHTING: LED Head lights, turn signals and brake lights.

OPERATOR CONTROLS: Tilt, lifting, lowering, side shifting forks, horn functions are located in the ergonomic Operators Compartment; Led lighting.

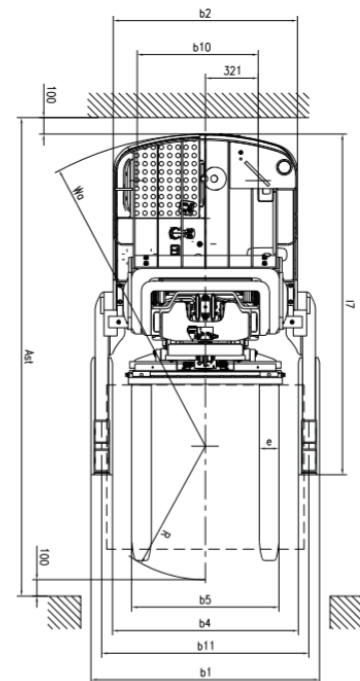
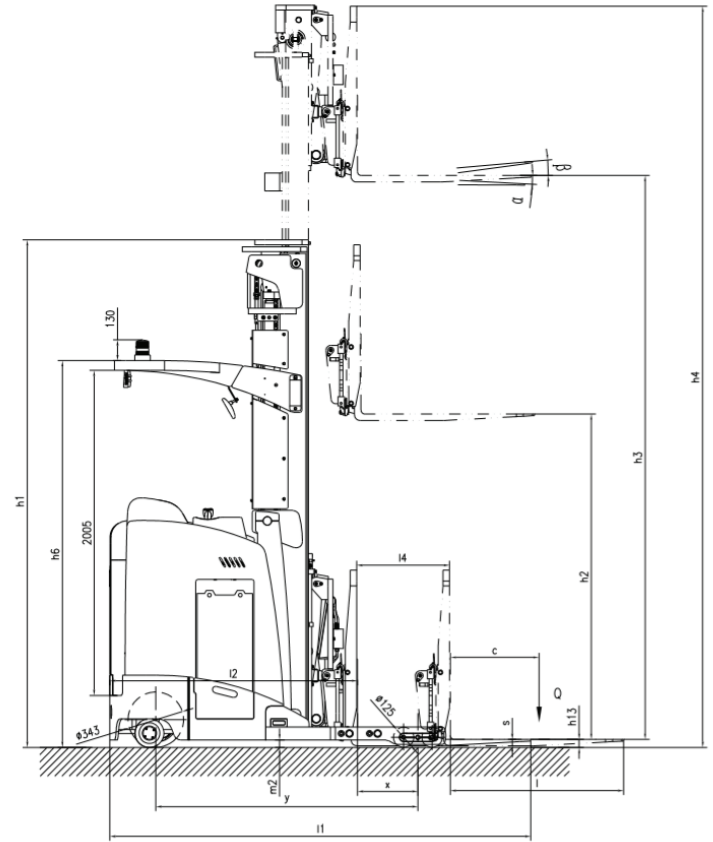
CHASSIS AND MAST: Robotic Welding; Heavy duty steel chassis with I-beam mast for durability; Telescoping mast.



RIDER REACH TRUCK



| Model | | EK18RR | EK18RRL |
|--|--|-----------------|-----------------|
| Power unit | | Electric | Electric |
| Operation Type | | Stand | Stand |
| Loading capacity | Q (LBS) | 4000 | 4000 |
| Load center | c (Inch) | 19.7 | 19.7 |
| Axle centre to fork face | x (Inch) | 14.65 | 14.76 |
| Wheelbase | y (Inch) | 63.62 | 63.7 |
| Service weight with battery | LBS | 9330 | 9000 |
| Wheels type | | PU | PU |
| Driving wheel size | Φ×w(Inch) | Φ13.5×5.2 | Φ13.5×5.2 |
| Bearing wheel size | Φ×w(Inch) | Φ4.9×3.2 | Φ4.9×3.2 |
| Wheels, number front/rear (x = driven) | | 1x,2/4 | 1x,2/4 |
| Track width | b ₁₀ (Inch) | 28.9 | 28.9 |
| Track width | b ₁₁ (Inch) | 49.6 | 49.6 |
| Mast/fork carriage tilt, forward/backward | a/b (°) | 2/4 | 2/4 |
| Lowered mast height | h ₁ (Inch) | 123.27 | 96.42 |
| Free lift height | h ₂ (Inch) | 79.92 | 53.15 |
| Lift height | h ₃ (Inch) | 275.59 | 196.85 |
| Extended mast height | h ₄ (Inch) | 318.9 | 240.94 |
| Height of overhead guard (cabin) | h ₆ (Inch) | 93.94 | 93.94 |
| Lowered fork height | h ₁₃ (Inch) | 1.97 | 1.97 |
| Overall length | l ₁ (Inch) | 102.28 | 102.28 |
| Length to fork face | l ₂ (Inch) | 60.16 | 60.16 |
| Overall width | b ₁ / b ₂ (Inch) | 54.72/44.1 | 54.72/44.1 |
| Fork dimensions | s/e/l (Inch) | 1.58/4.72/45 | 1.58/4.72/45 |
| Width of forks | b ₅ (Inch) | 35.04 | 35.04 |
| Distance Between Supports arms/loading surfaces | b ₄ (Inch) | 44.49 | 44.49 |
| Reach distance | l ₄ (Inch) | 22.44 | 22.44 |
| Min.Ground clearance | m ₂ (Inch) | 1.81 | 1.81 |
| Aisle width with pallet 1000 x 1200 across forks | A _{st} (Inch) | 116.93 | 116.93 |
| Aisle width with pallet 800 x 1200 along forks | A _{st} (Inch) | 118.9 | 118.9 |
| Min.Turning radius | Wa (Inch) | 75 | 75 |
| length across wheel arms | l ₇ (Inch) | 81.65 | 81.65 |
| Travel speed,laden/unladen | Mph | 5.59/5.90 | 5.59/5.90 |
| Lifting speed, with/without load | (in/s) | 7.48/9.05 | 7.48/9.05 |
| Lowering speed, with/without load | (in/s) | 11.81/9.05 | 11.81/9.05 |
| Reach speed,laden/unladen | (in/s) | 3.93/4.33 | 3.93/4.33 |
| Maximum climbing ability, with/without load | (%) | 6/10 | 6/10 |
| Electromagnetic + mechanical | | Electromagnetic | Electromagnetic |
| Drive motor, 60-minute rating | Watts | 6000 | 6000 |
| Lift motor rating at S3 15% | Watts | 11000 | 11000 |
| Battery according to DIN 43531/35/36 A,B,C,no | | no | no |
| Battery voltage/rated capacity | (V/Ah) | 48/420 | 48/420 |
| Battery weight (± 5%) | (LBS) | 1585 | 1585 |
| Type of drive control | | AC | AC |
| Noise level at operator's ear | (dB(A)) | ≤75 | ≤75 |



10268 West Jefferson Avenue
 River Rouge, Michigan 48218
 T: (313) 843-6466

AUTHORIZED DEALER
www.hiloindustrial.com