

# EKKO<sup>®</sup>

MATERIAL HANDLING EQUIPMENT

**MOVING AHEAD**

# WALKIE STRADDLE STACKER EB16EAS

- 4400 lbs. Capacity
- 216 in. Lift Height
- **SIDE SHIFT**
- Free Lift 76.25 In.
- EPS (Electric Power Steering)
- AC ZF Center Drive Motor
- Narrow Aisles 8 ft.
- Adjustable Legs 38.06-51.81 in.
- Adjustable Forks 9.8-31.5 in.
- Curtis Instrument Controller
- Batteries and Charger Included
- 3 Year Limited Warranty



## EB16EAS

**Superior quality, maneuverable, compact, and durable for all your material handling applications. Ideal for small aisles and areas.**

**WEIGHT CAPACITY:** 4400 lbs. @ 24" load center

**LIFT HEIGHT:** 216" (18 ft.)

**FORK LENGTH:** 45.28"

**SIDE-SHIFT:** Side shifting carriage

**ADJUSTABLE OUTRIGGERS:** 38.06-51.81"

**ADJUSTABLE FORKS:** 9.8-31.5"

**MAST HEIGHT:** 98.03"

**TURNING RADIUS:** 69.09"

**BATTERY / CHARGER:** 24V/210Ah, 24-volt Industrial Battery with external direct connect 110A 110VAC plug-in automatic 24V/30A charger (both Included)

**SPEED TRAVEL:** 3.3 mph empty ; 3.0 mph loaded

**LIFTING SPEED:** 5.35 ips empty; 3.6 ips loaded

**LOWERING SPEED:** 3.85 ips empty; 4.4 ips loaded

**DRIVE WHEELS:** 9" x 3" polyurethane

**STABILITY:** 4" x 2" polyurethane

**LOAD WHEELS:** (2) 4" x 3" polyurethane per outrigger

**HYDRAULICS LIFTING MOTOR:** 24V 3000-Watt lifting motor with hardened chrome moly steel for durability.

**DRIVE MOTOR:** 24V AC ZF 3000Watt drive motor for efficiency and high torque. **EPS (Electric Power Steering)**

**AC CONTROLLER:** 24V CURTIS Instrument provides performance through entire range of speed; Constant travel speed regardless of load; Battery discharge indicator combination gauge.

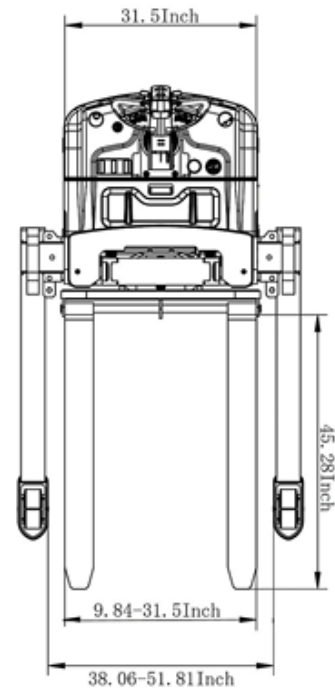
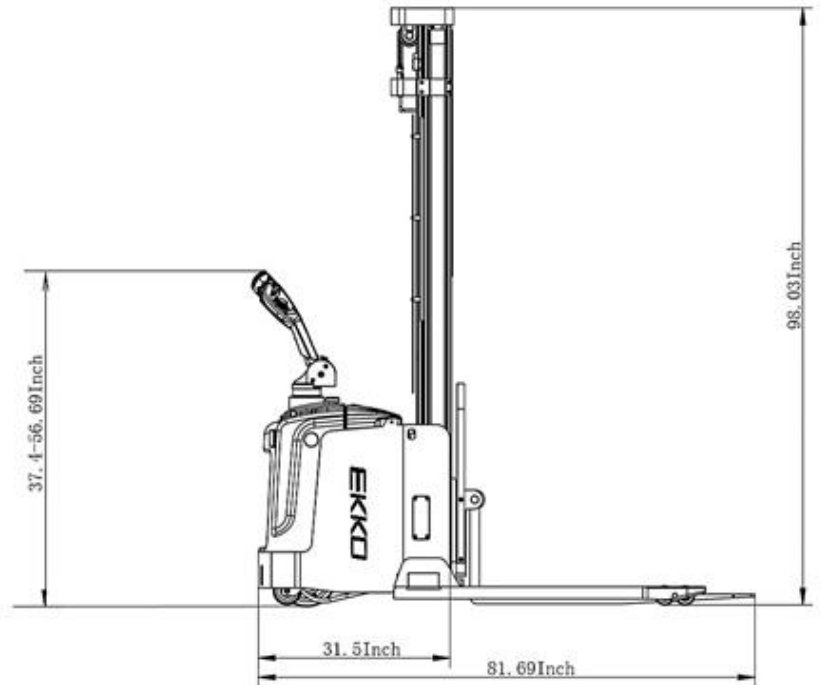
**BRAKES:** Electro-magnetic braking for secure stopping power; Electronic neutral braking for accurate control.

**OPERATOR CONTROLS:** Throttle, lifting, lowering, turtle mode and horn functions are in the ergonomic handle; Offset steering handle to provide better visibility; Belly button reverse safety feature allows the unit to stop and reverse to avoid collision or injury.

**CHASSIS AND MAST:** Robotic Welding; Heavy duty steel chassis with I-beam mast for durability; Telescoping mast



# Walkie Straddle Stacker



MODEL #	MAST	LIFT HEIGHT	MAX MAST HEIGHT	SERVICE WEIGHT
EB16EAS	98.03"	216"	253.15"	3650