

# EKKO<sup>®</sup>

MATERIAL HANDLING EQUIPMENT

**MOVING AHEAD**

## **WALKIE PALLET JACKS EP18D / EP20D**

- 4000-4400 lbs. Capacity
- Forks 27x48
- Internal Charger
- Compact & Economical
- Polyurethane Wheels
- Stability Casters
- Electromagnetic Braking
- Batteries and Charger Included
- 3 Year Limited Warranty



## EP18/20D SERIES

Superior quality, maneuverable, compact, and durable for all your material handling applications. Ideal for small aisles and areas.

**WEIGHT CAPACITY:** 4000-4400 lbs.

**LIFT HEIGHT:** 7.7"

**FORK LENGTH:** 27x48"

**TURNING RADIUS:** 55"

**INTERNAL BATTERY / CHARGER:** 24V 80-100AH, 24-volt deep cycle maintenance-free batteries with internal direct connect 110A 110VAC plug-in automatic 24V/15A charger (both Included)

**SPEED TRAVEL:** 3.3 mph empty ; 3.0 mph loaded

**LIFTING SPEED:** 1.1 ips empty; .8 ips loaded

**LOWERING SPEED:** 1.5 ips empty; 1.5 ips loaded

**DRIVE WHEELS:** 10.6" x 2.75" polyurethane

**STABILITY CASTERS:** 4" x 1.5" polyurethane

**LOAD WHEELS:** (2) 3.1" x 3.7" polyurethane

**HYDRAULICS LIFTING MOTOR:** 24V 800 Watt lifting motor with hardened chrome moly steel for durability.

**DRIVE MOTOR:** 24V 750 Watt drive motor for efficiency and high torque.

**CONTROLLER:** 24V provides performance through entire range of speed; Constant travel speed regardless of load; Battery discharge indicator combination gauge.

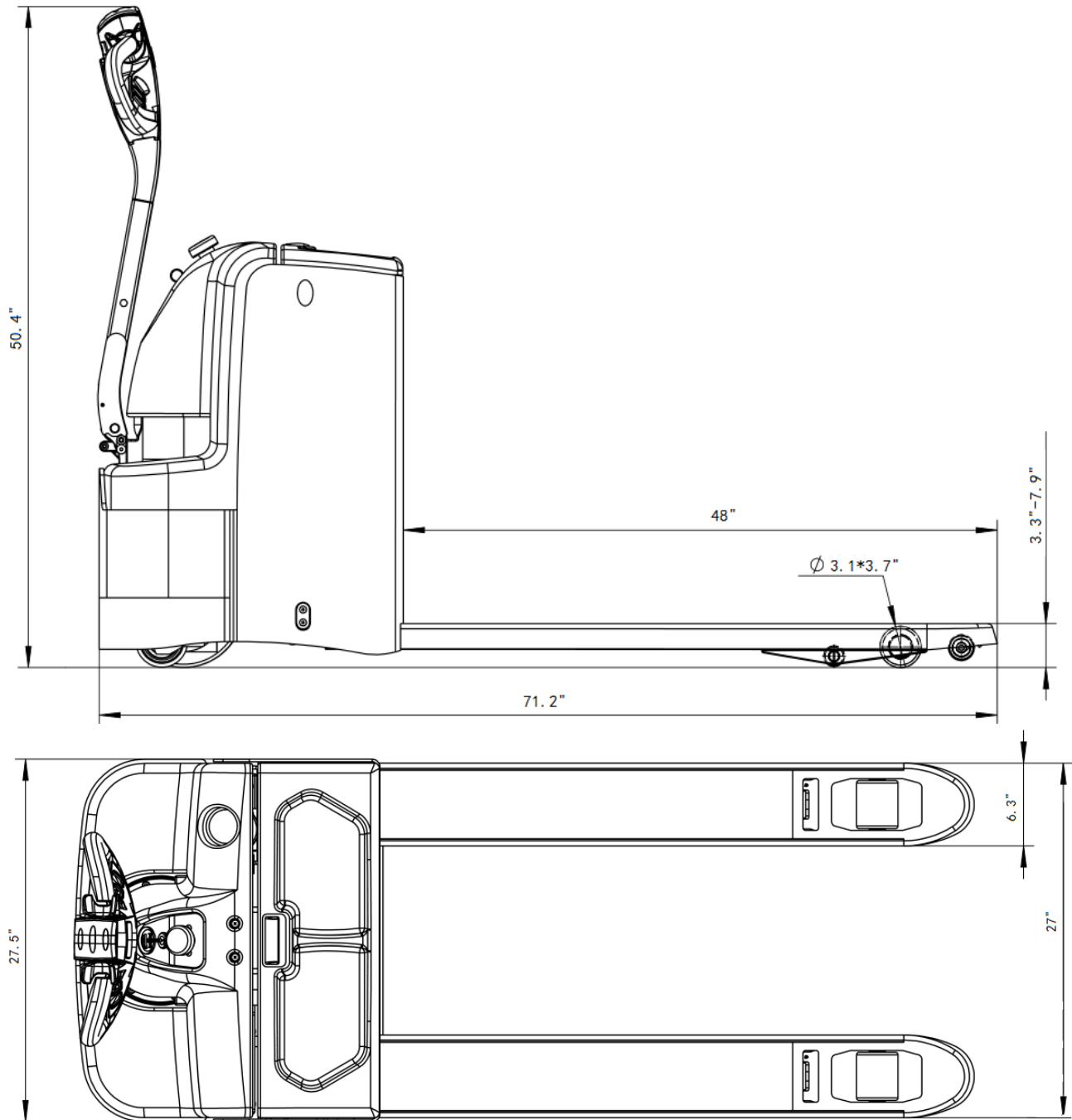
**BRAKES:** Electro-magnetic braking for secure stopping power; Electronic neutral braking for accurate control.

**OPERATOR CONTROLS:** Throttle, lifting, lowering, turtle mode and horn functions are located in the ergonomic handle; turtle button; belly button reverse safety feature allows the unit to stop and reverse to avoid collision or injury.

**CHASSIS AND MAST:** Robotic Welding; Heavy duty steel for durability.



# Walkie Pallet Jacks



MODEL #	LOAD CAPACITY	FORKS	BATTERY	SERVICE WEIGHT
EP18D	4000lbs	27x48	80Ah	850lbs
EP20D	4400lbs	27x48	100Ah	880lbs



1761 W. Holt Ave.  
Pomona, CA 91768 USA  
T: (877) 232-6517 F: (909) 222-6861

AUTHORIZED DEALERS ONLY  
[www.ekkolifts.com](http://www.ekkolifts.com)