

EKKO[®]

MATERIAL HANDLING EQUIPMENT

MOVING AHEAD

LITHIUM PALLET JACKS

EPE15LI / EPE18LI / EPE20LI

- LITHIUM LiFePO4
- 3300-4400 lb. Capacity
- Forks 27x48
- Compact & Economical
- Pin Code Panel
- Polyurethane Wheels
- Pinwheel Capability
- Stability Casters
- Electromagnetic Braking
- Lithium Iron Phosphate
24V/30Ah, 24V/40Ah, 48V/30Ah
- Battery and Charger Included
- 3 Year Limited Warranty



EPE15LI / EPE18LI / EPE20LI

Quicker charge, Longer battery life, Superior quality, maneuverable, compact, and durable for all your material handling applications.

WEIGHT CAPACITY: 3300-4400 lbs.

LIFT HEIGHT: 7.87"

FORK LENGTH: 27x48"

TURNING RADIUS: 57.8"

BATTERY / CHARGER: LITHIUM IRON PHOSPHATE
24V/30Ah-40Ah, 24-volt and 48V/30Ah

SPEED TRAVEL: 4.5 mph empty ; 4.2 mph loaded

LIFTING SPEED: 1.1 ips empty; .8 ips loaded

LOWERING SPEED: 1.5 ips empty; 1.5 ips loaded

DRIVE WHEELS: 9.84" x 2.91" polyurethane

LOAD WHEELS: (2) 3.15" x 3.35" polyurethane

HYDRAULICS LIFTING MOTOR: 24V 800 Watt lifting motor with hardened chrome moly steel for durability.

DRIVE MOTOR: 24V/750-Watt drive motor for efficiency and high torque.

CONTROLLER: 24V provides performance through entire range of speed; Constant travel speed regardless of load; Battery discharge indicator combination gauge.

BRAKES: Electro-magnetic braking for secure stopping power; Electronic neutral braking for accurate control.

OPERATOR CONTROLS: Pin Code Panel, Throttle, lifting, lowering, turtle mode, pinwheel capability and horn functions are in the ergonomic handle; release lower handle; belly button reverse safety feature allows the unit to stop and reverse to avoid collision or injury.

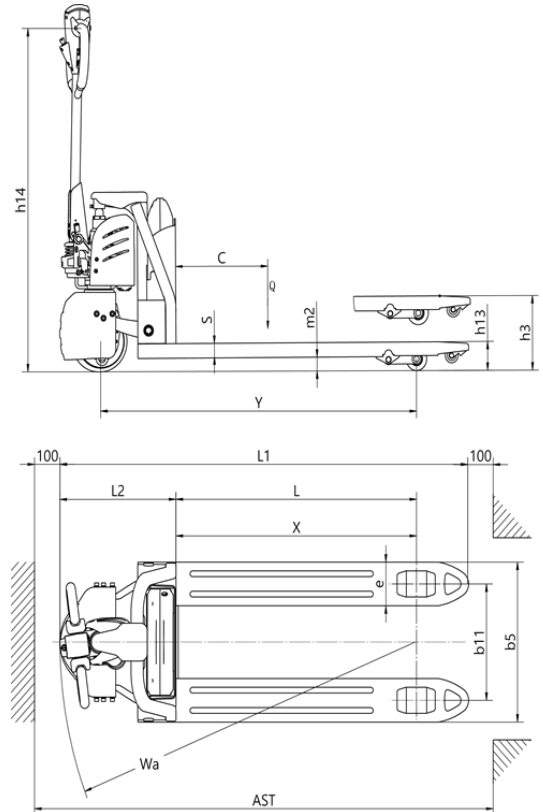
CHASSIS AND MAST: Robotic Welding; Heavy duty steel for durability.



LITHIUM PALLET JACKS



Model		EPE15LI	EPE18LI	EPE20LI
Drive type		Electric	Electric	Electric
Manner of operation		Walkie	Walkie	Walkie
Load Capacity	Q (LBS)	3300	4000	4400
Load Centre	c (Inch)	23.6	23.6	23.6
Distance between fork backrest and front wheel	x (Inch)	39.92	39.92	39.92
Wheelbase	y (Inch)	51.69	51.69	51.69
Service Weight (with battery)	LBS	345	370	390
Tire material		PU	PU	PU
Driving wheel size	$\Phi \times w$ (Inch)	$\Phi 8.27 \times 2.76$	$\Phi 8.27 \times 2.76$	$\Phi 8.27 \times 2.76$
Bearing wheel size	$\Phi \times w$ (Inch)	$\Phi 3.15 \times 3.35$	$\Phi 3.15 \times 3.35$	$\Phi 3.15 \times 3.35$
Qty of wheel, Front/Rear (x=driving wheel)		1x/2	1x/2	1x/2
Tread	b ₁₁ (Inch)	21.06	21.06	21.06
Lifting Height	h ₃ (Inch)	7.87	7.87	7.87
The height of handle in the operation position	h ₁₄ (Inch)	29.13/45.67	29.13/45.67	29.13/45.67
Lowered fork height	h ₁₃ (Inch)	2.95	2.95	2.95
Overall Length	l ₁ (Inch)	65.86	65.86	65.86
Body Length	l ₂ (Inch)	17.83	17.83	17.83
Overall Width	b ₁ / b ₂ (Inch)	26.97	26.97	26.97
Fork Size	s/e/l (Inch)	1.97/5.91/48.03	1.97/5.91/48.03	1.97/5.91/48.03
Fork Width	b ₅ (Inch)	26.97	26.97	26.97
Min.Ground clearance	m ₂ (Inch)	1.38	1.38	1.38
Aisle width for pallets 39.37*47.24 crossways	Ast (Inch)	73.78	73.78	73.78
Aisle width for pallets 31.5*47.24 lengthways	Ast (Inch)	75.75	75.75	75.75
Turing Radius	Wa (Inch)	57.8	57.8	57.8
Driving Speed, load/unload	(km/h)	4.2/4.5	4.2/4.5	4.2/4.5
Maximum gradeability load/unload	(%)	5/10	5/10	5/10
Brake Type		Electromagnetic brake	Electromagnetic brake	Electromagnetic brake
Drive Motor	(kW)	0.75	0.75	0.75
Lift Motor	(kW)	0.8	0.8	0.8
Lithium Iron Phosphate LiFePO4 Battery, o DIN 43531/35/36 A,B,C,no		no	no	no
Battery voltage/rate capacity	(V/Ah)	24/30	24/40	48V/30A
Battery Weight (±5%)	LBS	17	22.4	29
Type of drive control		DC	DC	DC
Noise level	(dB(A))	≤70	≤70	≤70



MODEL #	LOAD CAPACITY	FORKS	BATTERY	SERVICE WEIGHT
EPE15LI	3300lbs	27x48	24V/30Ah	345lbs
EPE18LI	4000lbs	27x48	24V/40Ah	370lbs
EPE20LI	4400lbs	27x48	48V/30Ah	390lbs



1761 W. Holt Ave.
 Pomona, CA 91768 USA
 T: (877) 232-6517 F: (909) 222-6861

AUTHORIZED DEALERS ONLY
www.ekkolifts.com