

EKKO

MATERIAL HANDLING EQUIPMENT

MOVING AHEAD

WALKIE STRADDLE STACKER EB16EA

- 4400 lbs. Capacity
- 216 in. Lift Height
- Free Lift 76.25 In.
- EPS (Electric Power Steering)
- AC ZF Center Drive Motor
- Narrow Aisles 8 ft.
- Adjustable Legs 38.06-51.81 in.
- Adjustable Forks 9.8-31.5 in.
- Curtis Instrument Controller
- Batteries and Charger Included
- 3 Year Limited Warranty



EB16EA

Superior quality, maneuverable, compact, and durable for all your material handling applications. Ideal for small aisles and areas.

WEIGHT CAPACITY: 4400 lbs. @ 24" load center

LIFT HEIGHT: 216" (18 ft.)

FORK LENGTH: 45.28"

ADJUSTABLE OUTRIGGERS: 38.06-51.81"

ADJUSTABLE FORKS: 9.8-31.5"

MAST HEIGHT: 98.03"

TURNING RADIUS: 69.09"

BATTERY / CHARGER: 24V/210Ah, 24-volt deep cycle maintenance-free batteries with external direct connect 110A 110VAC plug-in automatic 24V/30A charger (both Included)

SPEED TRAVEL: 3.3 mph empty ; 3.0 mph loaded

LIFTING SPEED: 5.35 ips empty; 3.6 ips loaded

LOWERING SPEED: 3.85 ips empty; 4.4 ips loaded

DRIVE WHEELS: 9" x 3" polyurethane

STABILITY: 4" x 2" polyurethane

LOAD WHEELS: (2) 4" x 3" polyurethane per outrigger

HYDRAULICS LIFTING MOTOR: 24V 3000-Watt lifting motor with hardened chrome moly steel for durability.

DRIVE MOTOR: 24V AC ZF 3000Watt drive motor for efficiency and high torque. **EPS (Electric Power Steering)**

AC CONTROLLER: 24V CURTIS Instrument provides performance through entire range of speed; Constant travel speed regardless of load; Battery discharge indicator combination gauge.

BRAKES: Electro-magnetic braking for secure stopping power; Electronic neutral braking for accurate control.

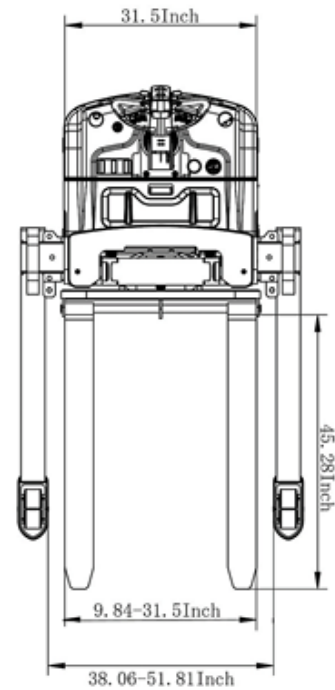
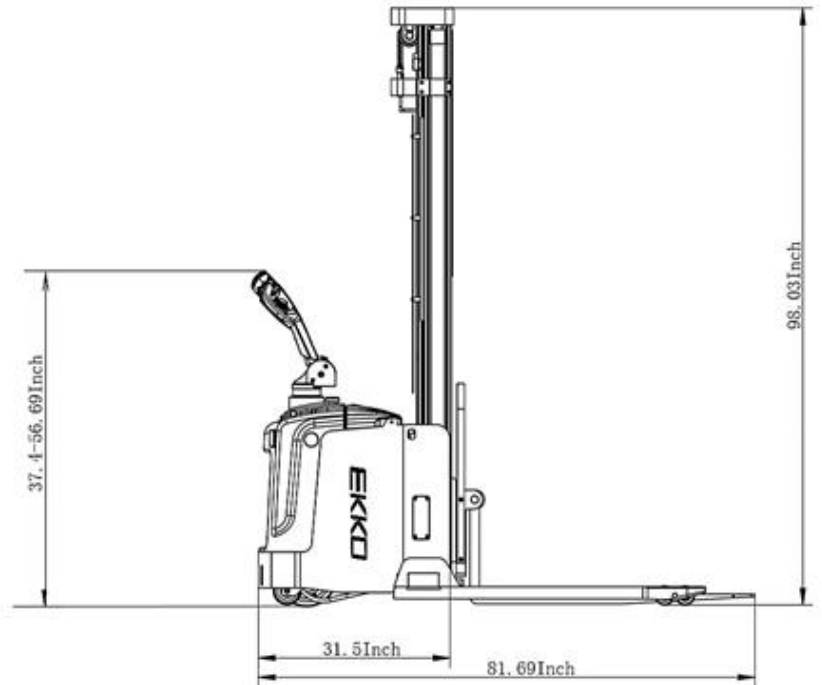
OPERATOR CONTROLS: Throttle, lifting, lowering, turtle mode and horn functions are in the ergonomic handle; Offset steering handle to provide better visibility; Belly button reverse safety feature allows the unit to stop and reverse to avoid collision or injury.

CHASSIS AND MAST: Robotic Welding; Heavy duty steel chassis with I-beam mast for durability; Telescoping mast includes a protective steel guard.



Walkie Straddle Stacker

EKKO®



MODEL #	MAST	LIFT HEIGHT	MAX MAST HEIGHT	SERVICE WEIGHT
EB16EA	98.03"	216"	253.15"	3542

EKKO®
 MATERIAL HANDLING EQUIPMENT
MOVING AHEAD

1761 W. Holt Ave.
 Pomona, CA 91768 USA
 T: (877) 232-6517 F: (909) 222-6861

AUTHORIZED DEALERS ONLY
www.ekkolifts.com