

# Master Craft

## MC Ultra Series

14,000 - 20,000 lbs. capacity  
Rough Terrain Forklifts



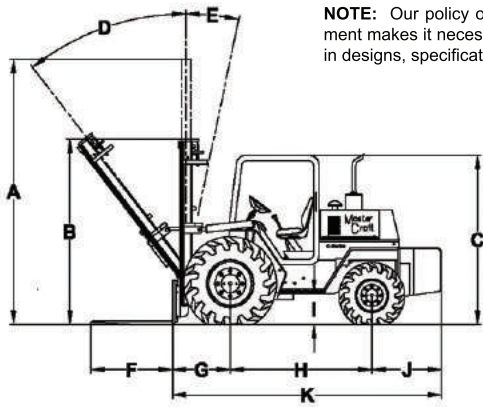
MODEL SHOWN WITH OPTIONAL EQUIPMENT

Tifton, GA (USA) ~ (229) 386-0610  
[www.mastercraftforklifts.com](http://www.mastercraftforklifts.com)

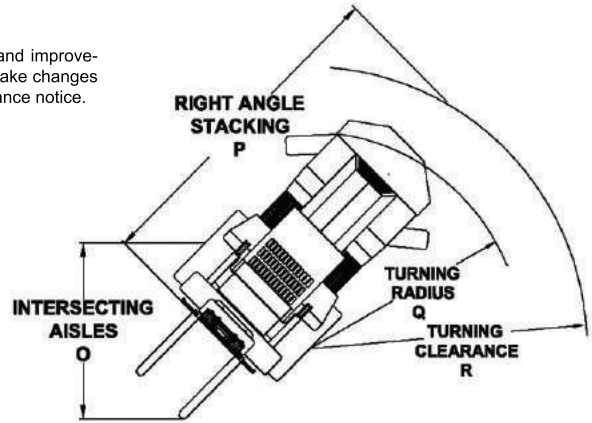
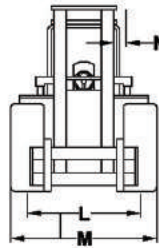


***Lifting the World to New Heights***





NOTE: Our policy of continual engineering research and improvement makes it necessary that we reserve the right to make changes in designs, specifications and components without advance notice.



CAPACITY		14,000 @ 24" LC	16,000 @ 24" LC	18,000 @ 24" LC	20,000 @ 24" LC
OPERATIONAL DATA: (APPROXIMATE)		with 2 rail 14' mast	with 2 rail 14' mast	with 2 rail 14' mast	with 2 rail 14' mast
A	Overall mast height mast extended w/ load backrest	221	221	221	221
B	overall mast height mast collapsed	126	126	126	126
C	Overall height to top of overhead guard	103	103	103	103
D	Forward tilt (in degrees)	18	18	18	18
E	Rearward tilt (in degrees)	10	10	10	10
F	Length of forks	48	48	48	48
G	C/L drive axle to face of forks	40.5	40.5	40.5	40.5
H	Wheelbase	108	108	116	116
I	Under clearance:				
	mast	11.5	11.5	11.5	11.5
	drive axle	17.25	17.25	17.25	17.25
	steer axle	12.25	12.25	12.25	12.25
J	Counterweight overhang	36.25	36.25	36.25	36.25
K	Overall length to face of forks	184.5	184.5	192.5	192.5
L	Tread width (drive wheels) (20.5L X 25 drive tires)	69.25	69.25	69.25	69.25
M	Overall width (20.5L X 25 drive tires)	90	90	90	90
N	Side shift (total)	2	2	2	2
O	Intersecting Aisles	200	200	200	200
P	Right angle stacking:	276	276	284	284
Q	Turning radius:	262	262	270	270
R	Turning clearance:	232.5	232.5	240.5	240.5
	Weight (w/ mast counterweight & forks)	27,500	27,500	35,300	35,300

\*Weights are approximate and include the mast, counterweight and standard 2" x 4" x 48" forks. Weights may vary depending on exact options ordered.

### ENGINE SPECIFICATIONS

Model	John Deere Tier IV
No. of Cylinders	4 In-line
Displacement	4.5L (275 cu. in.)
HP - max gross	125 @ 2200 RPM
Max Peak Torque	397 lbs. ft @ 2200 RPM
Bore & Stroke	4.2 in x 5.00 in
Electrical	12 Volt, 680 Cold Cranking Amps @ 0 Deg. F 12 Volt, 75 Amp Standard Heavy Duty High Torque Starter Automotive Style Fuses
Cooling System	Thermostat / Anti-Freeze 5.4 gal. 19.5 in 9 Blade Fan
Fuel Tank	19 US Gallons
Fuel Filter	Dual / Paper Element / Water Separator / Tank Strainer
Oil Filter	Full Flow 1 Qt. Capacity
Air Cleaner	Dry Type (2-Stage)
Exhaust System	Vertical Muffler & Tailpipe

### GENERAL SPECIFICATIONS

- Standard engine - John Deere Tier IV PWL 4.5L (125HP) Diesel
- ITL 4 speed Powershift transmission with auto shift control.
- Mechanically operated differential lock.
- 4-wheel hydraulic actuated wet disc brakes sealed in oil.
- Hand operated park brake.
- Hydrostatic power steering.
- Mast side shift moves entire mast, carriage and forks up to 1" either side of center.
- Machine hydraulics – 30.5 gpm @ 2200 rpm @ 2200 psi, crankshaft driven 2 stage gear pump, 3 spool control valve, preset relief valve, 2 mast cylinders, 2 tilt cylinders and 1 side shift cylinder.
- Industrial-type seat adjustable forward or rearward with retractable seat belt and water drainage hole.
- Instrument cluster includes fuel gauge, water temperature gauge, engine oil pressure gauge and voltmeter. The hour meter is located to the left of the instrument cluster. Optional warning lights include oil pressure, water temperature, air filter restriction and hydraulic oil filter restriction.

