

March 30<sup>th</sup>, 2016

**Subject: The use of Cascade Pipe/Pole Hold Down attachment, model 60C-PHD, on the following Genie telehandler models; GTH-1256, GTH-1544.**

Subject to the requirements of this letter, Genie authorizes the owner of a GTH-1256, GTH-1544 Telehandler to use the Cascade Pip/Pole Hold Down attachment, hereinafter referred to as the attachment, based on the requirements hereinafter. This letter supersedes all previous revisions.



**Warning:**

Failure to comply with all restrictions, instructions and warnings contained in this letter, in all Operator's Manual and Safety Manuals could result in death or serious injury.

**Owner/Employer/Operator Requirements**

- 1) The owner, employer and the operator shall comply with all applicable jobsite, local, state, country, employer, manufacturer rules, regulations, and standards (e.g. ANSI/ITSDF B56.6) related to the use of the equipment with the attachment.
- 2) A copy of this letter and the attachment operator's manual must accompany the operator and safety manuals at all times in the weather resistant storage compartment located on the equipment. Read, understand and follow the proper installation and operating instructions of the attachment.
- 3) Operators must be trained and qualified on how to safely operate the equipment and be familiar with the specific model of Genie equipment, and attachment, as follows:
  - a) Be familiar, and comply, with all equipment operating and safety manuals.
  - b) Understand all control functions, decals and warnings.
  - c) Be aware of and understand all safety devices specific to the equipment being used.
  - d) Be instructed regarding the specific hazards associated with using the Genie telehandler with the attachment (i.e. driving with a wide load, unstable load, collisions with personnel/traffic etc.), and utilize all means, including those provided by the employer, to avoid them.
- 4) The operator must use the Genie load chart for the attachment supplied with this letter, 57.2900.0592 Rev A and corresponding to the specific Genie model. It is the responsibility of the employer and/or operator to place the appropriate load chart in the Genie Telehandler in a clearly visible location for the operator in their normal operating position.

Note: Lamination of the load chart may help minimize potential damage.

**Specific Training**

- 1) The employer shall provide any additional training to the operator, and other personnel, that's deemed necessary to safely operate the Genie telehandler with the attachment, which may include but not be limited to the following:
  - a) Installation
    - i) The attachment shall be installed and secured in accordance with the attachment manufacturers installation instructions.
    - ii) The hydraulic connections shall be made such that they are consistent for each attachment installed and that the telehandler hydraulic controls operate the same for each installation.
  - b) Controls
    - i) The operator shall receive training on the telehandler hydraulic controls and how they operate the attachment.

- c) Visibility
  - i) When visibility is or could be obstructed, the operator shall use alternative/additional means to safely transport the load. Use of additional personnel to direct the operator in his movements as well as surrounding ground traffic.
- d) Travel
  - i) A competent person shall supervise the operation, and determine if it is necessary to reduce rated capacity, and make a determination regarding load position, boom location, ground support, travel route, overhead obstructions, and speed of movement necessary to ensure safety.
  - ii) Speed shall be limited by any conditions that could cause any unexpected movement of the load, or jeopardize the safe transport of the load.
  - iii) The telehandler boom shall be retracted and lowered as much as possible.
  - iv) Only travel on firm and level surfaces.
  - v) Start, travel, turn and stop slowly to prevent the load from becoming unstable.
  - vi) Be aware of the increased turning radii, due to the wider load, and avoid any potential collisions.

### **Use Requirements/Considerations**

- 1) This approval only applies for the primary intended purpose and use of the Genie telehandler, as defined by ANSI/ITSDF B56.6 and CSA B335.
- 2) The combined load center shall be located approximately on the center line of the telehandler boom.
- 3) The maximum load capacities referenced on the Genie load chart, in this letter, shall not be exceeded.
- 4) Do not exceed loads greater than 60 feet in length.
- 5) Always stabilize the load, e.g. clamp the load with the attachment arms, prior to lifting, lowering or traveling with the load.
- 6) Cascade Corporation is responsible for adhering to all applicable best practices, standards, and regulations related to:
  - a) Design,
  - b) Fabrication,
  - c) Workmanship,
  - d) Structural integrity,
  - e) Fit and function,
  - f) Overall quality,
  - g) Any operating and safety instructions specific to the attachment,
  - h) Clearly marking the attachment in accordance with the applicable standards and regulations (i.e. ANSI/ITSDF B56.6, CSA B335 etc.)

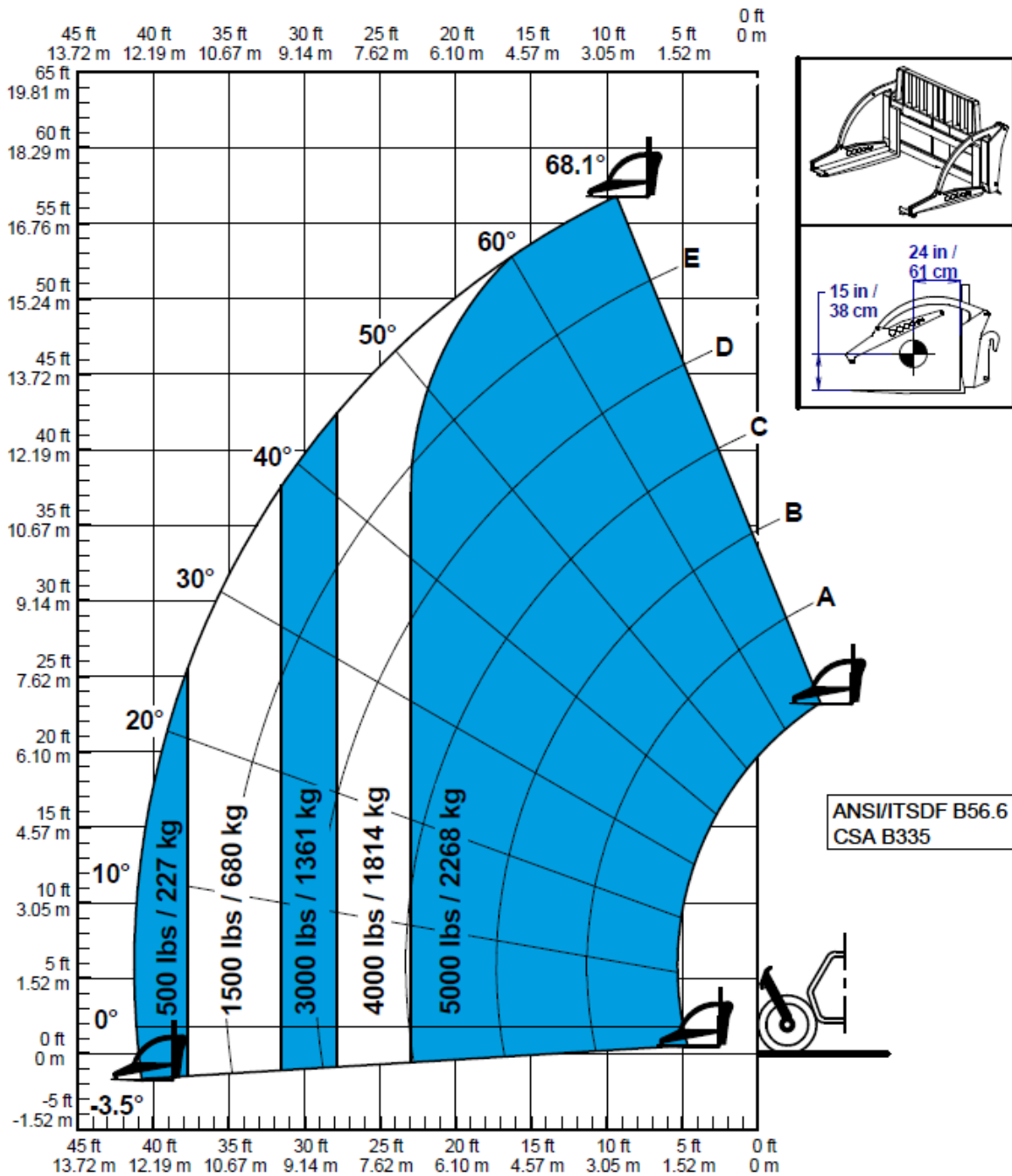
In consideration for Genie's authorization herein, the equipment owner hereby agrees to indemnify and hold harmless Genie Industries Inc. and its parent and affiliated companies against any and all liability, claims, suits, losses, costs and legal fees caused by, arising out of, or resulting from the approved modification/application of the Genie equipment; any negligent act in the operation of the equipment by the owner, user and/or operator; the failure to comply with the criteria set forth in this letter related to the modification/application; the design, manufacture and installation of any modification; the safety rules and operating instructions in the Operator's Manual; the design and placement of any safety decals; the operation of the equipment by the owner, user and/or operator; and any negligent act or omission related to the equipment, its use or its modification.

**BY PROCEEDING WITH THE MODIFICATION/APPLICATION AUTHORIZED HEREIN, YOU AGREE TO THE CONTENTS OF THIS LETTER AND ITS CONDITIONS. IF YOU DO NOT AGREE, DO NOT PROCEED WITH THE PROPOSED MODIFICATION/APPLICATION.**

**GTH-1256 Load Chart (Stabilizers Up)**  
for  
**Cascade Pipe/Pole Hold Down Attachment Model 60C-PHD-65437**

**GTH-1256**

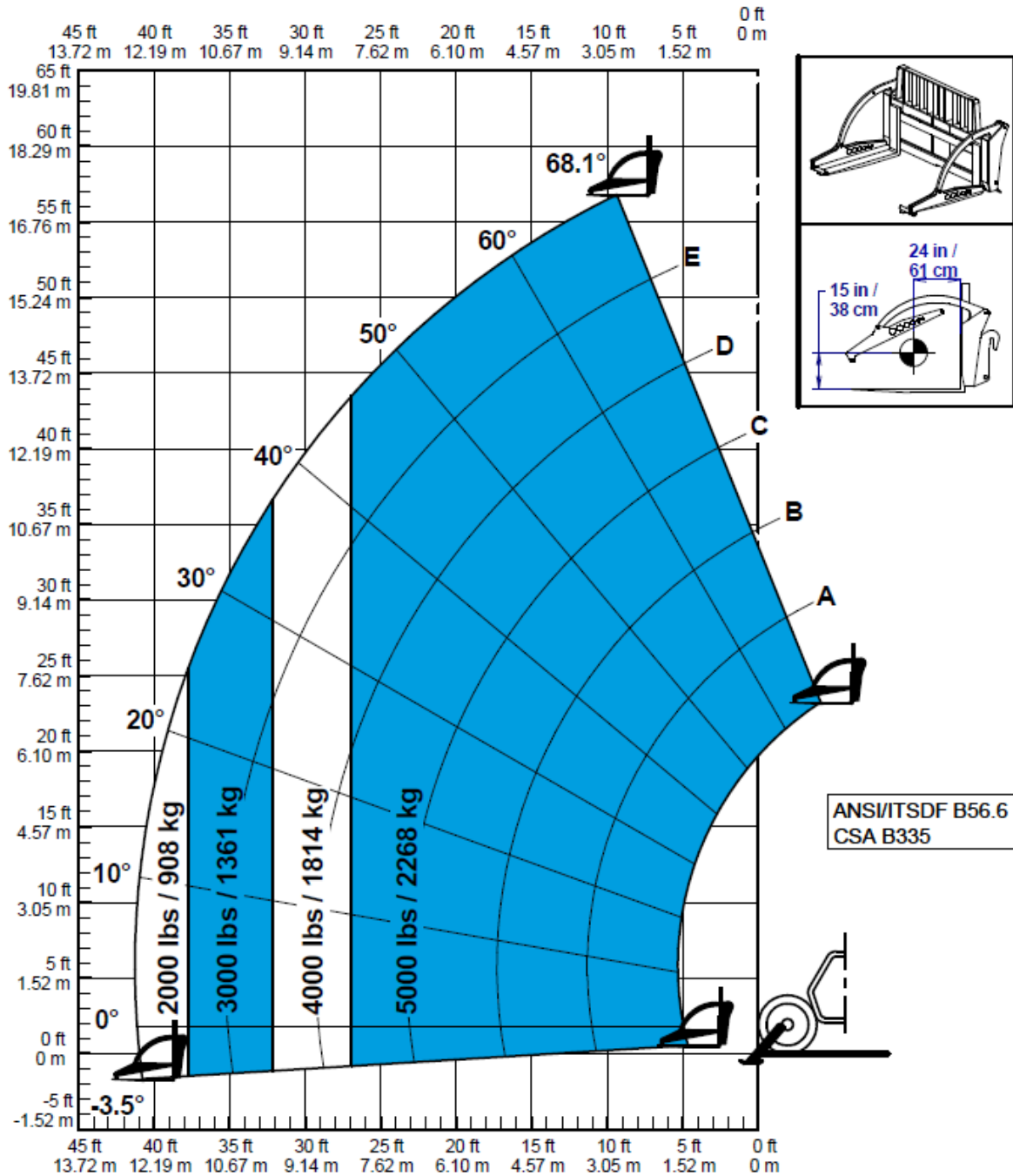
57.2900.0615 rev. 0



**GTH-1544 Load Chart (Stabilizers Down)**  
for  
**Cascade Pipe/Pole Hold Down Attachment Model 60C-PHD-65437**

**GTH-1256**

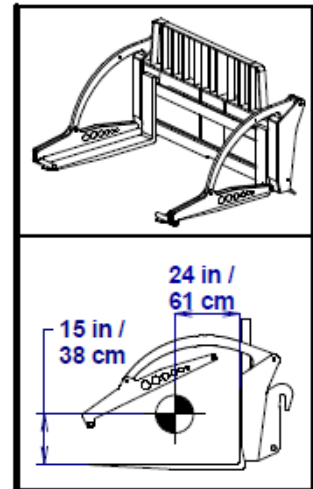
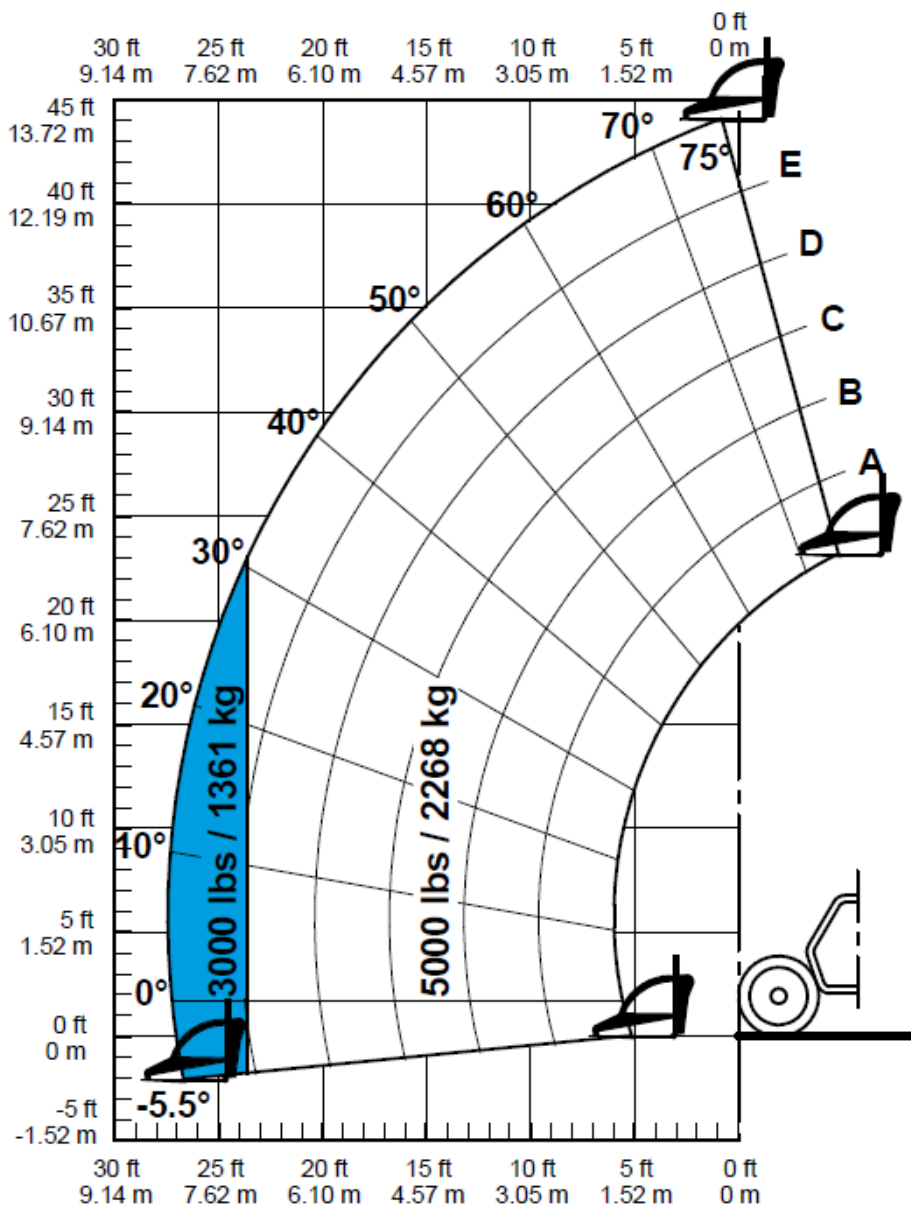
57.2900.0616 rev. 0



**GTH-1544 Load Chart  
for  
Cascade Pipe/Pole Hold Down Attachment Model 60C-PHD-65437**

**GTH-1544**

57.2900.0592 rev. A



ANSI/ITSDF B56.6  
CSA B335